

Model NRC111 Series Residential Condensing Tankless Water Heater Specification Sheet

- **Standard Input** - gas consumption ranges from 11,000 BTU/h to 199,900 BTU/h
- **Capacity Range** - flow rates from 0.5 gpm up to 11.1 gpm
- **Compact Design** - ANSI Z21.10.3/CSA 4.3 certified design that can be wall-mounted indoors or installed outdoors with an -SV model using the optional Vent Cap
- **Durable Steel Casing with Polyester Coating**
- **Heat Exchanger** - manufactured with commercial grade copper, 25% thicker piping than standard models
- **Venting Options** - available in Power Vent (-SV) or Direct Vent (-DV) model that uses 3" or 4" Schedule 40 PVC/CPVC pipe
- **Direct Electronic Ignition**
- **Quick-Connect** - two identical units can be linked together by using the optional Quick Connect Cord for twice the hot water capacity
- **Energy Factor** - 0.91 (NG) 0.93 (LP) for SV model
0.92 (NG) 0.94 (LP) for DV model
- **Thermal Efficiency** - fully condensing, 93% efficient for use with natural gas or propane
- **Temperature Controls** - includes remote thermostat that can precisely adjust the output temperature from 100°F to 180°F
- **Power Cord Installation Kit** - 6' power cord is included with -SV and -DV models (*assembly required for SV models*)
- **Safety Devices** - Flame Sensor, Overheat Prevention Device, Lightning Protection Device, Freeze Protection, Neutralizer Overfill
- **Additional Features** - Temperature Lockout, High Elevation Adjustment, Condensate Neutralizer with Monitoring System
- **12-Year* Limited Heat Exchanger Warranty for Residential Use**
- **5-Year Limited Parts Warranty**
- **Approvals** - CSA, UPC**, NSF, Low NOx Approved By SCAQMD (Rule 1146.2), Suitable for Installation in a Manufactured (Mobile) Home***



This model is eligible for the Federal tax credit of up to 10% of the water heater and installation costs (up to \$300) when installed in a residence between 1/1/2011 through 12/31/2011

<p>Model NRC111 - _____</p> <p><input type="checkbox"/> SV (Standard Vent)</p> <p><input type="checkbox"/> DV (Direct Vent)</p> <p>Accessories</p> <p><input type="checkbox"/> Birdscreen for 3" PVC/CPVC (#VP3-PVCS)</p> <p><input type="checkbox"/> Birdscreen for 4" PVC/CPVC (#VP4-PVCS)</p> <p><input type="checkbox"/> Outdoor Vent Cap for Condensing -SV Model (#VC-4C)</p> <p><input type="checkbox"/> Isolator Valves (#IK-WV-7)</p> <p><input type="checkbox"/> Pipe Cover (#PC-3S)</p> <p><input type="checkbox"/> Quick Connect Cord (#QC-1)</p>

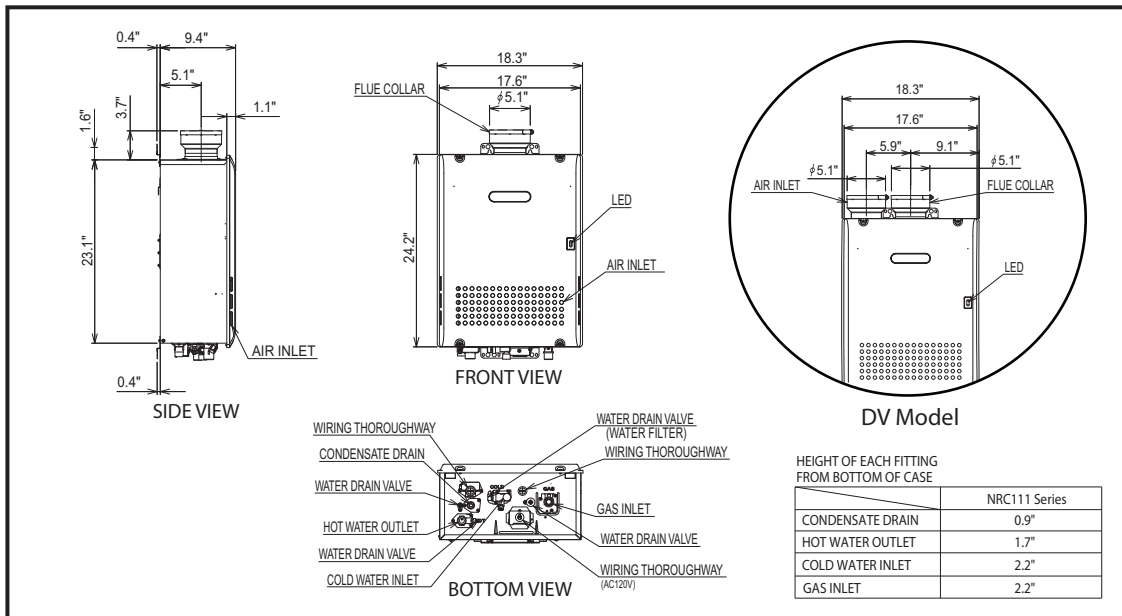


** Heat Exchanger warranty is maintained at 12 years or 6500 operational hours, whichever occurs first, when used in a single family dwelling in conjunction with a controlled recirculation system (an aquastat being the minimum pump control requirement) in accordance with the Installation Manual. Refer to the Noritz Limited Warranty for complete coverage details*

*** This product complies with California AB 1953 Low Lead Law*

**** Manufactured (Mobile) Home approval is valid for **OD** and **DV** models only*

Dimensions

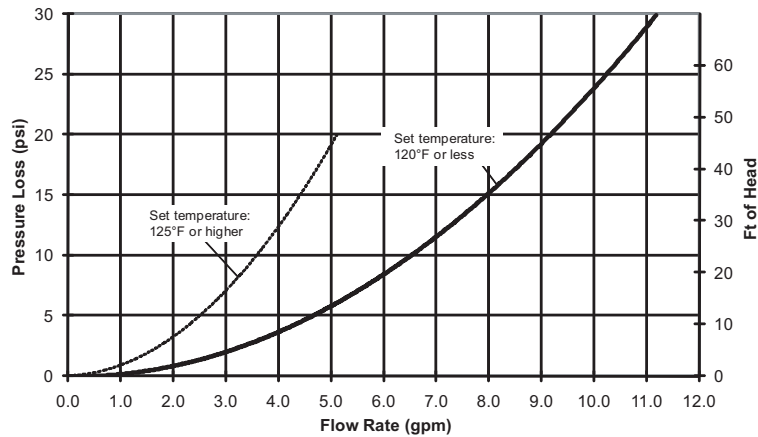


Flow Rates

Temperature Rise (°F)	30	40	45	50	60	70	80	90	100
Flow Rate (GPM)	11.1	9.3	8.4	7.4	6.2	5.3	4.6	4.1	3.7

For peak flow rates in shaded areas, contact Noritz for proper setting

Pressure Loss



Specifications

Model Name		NRC111-SV	NRC111-DV
Weight		74 (pounds)	
Water Holding Capacity		0.5 Gallon	
Connection Sizes	Water Inlet	3/4"	
	Hot Water Outlet	3/4"	
	Gas Inlet	3/4"	
Power	Supply	120VAC (60Hz), less than 4 amperes	
	Consumption	NG: 106W LP: 109W Freeze Prevention 213W	NG: 115W LP: 120W Freeze Prevention 213W
Freeze Prevention		Indoor: -30°F Outdoor: -4°F	Indoor: -30°F
Temperature Settings		100-150°F (In 5°F intervals), 160°F, 170°F, *180°F (14 Options)	
Default Temperature Options		120, 130, 140, *180°F (Default is 120°F)	

*181.4°F actual output temperature